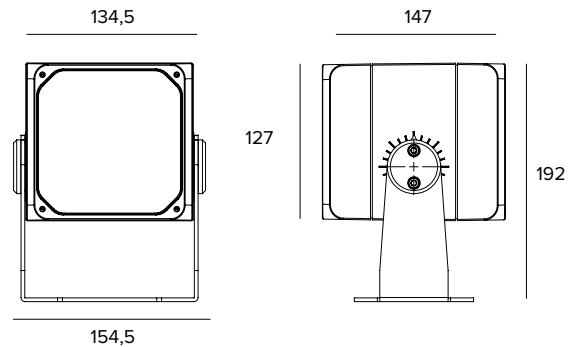


## 1E3882 | DART Medium RGBW

Professional adjustable projector with RGBW LED source



The fixture's photometric values can be found on the following pages



The figures on the drawing are expressed in mm.

### SOURCE

High efficiency RGBW LED multichip.

**Energy efficiency class:** G

**Nominal power:** 31W

**Nominal flux:** See photometries

**CCT nominal:** See photometries

**Lifetime (L80/B10):** >50000h tq +25°C

### ILLUMINOTECHNICAL CHARACTERISTICS

Optic made of metallised polycarbonate reflector with WFL light beam opening and holographic diffusion filter in PMMA.

**Optic:** REFLECTOR

**Beam angles:** WFL

**Optical efficiency:** 75%

**Fixture flux:** See photometries

**Luminous efficacy:** See photometries

**Photobiological safety:** Compliant with RG1 low risk group

### MECHANICAL CHARACTERISTICS

Painted die-cast anodised aluminium body and painted stainless steel mounting bracket. Rotation of  $\pm 45^\circ$  on the horizontal plane and of 0-120° or 0-20° on the vertical plane.

**Colour and finish:** Ferrite

**Weight:** 3.3Kg

**Degree of protection:** IP66

**Mechanical Resistance:** IK10

### ELECTRICAL CHARACTERISTICS

Remote power supply. Controlled using DMX-RDM protocols that make it possible to programme the fixture remotely (no dip-switch) using the DMX data line. Programming the fixtures is done using the USB-RDM programmer that is available as an accessory.

**Fixture Power:** See photometries

**Power supply:** 850mA

**Insulation Class:** CLASS 3

**Driver included:** NO

**Class F:** YES

**Ambient temperature:** -25°C / +35°C

### INSTALLATION

Mounting bracket with aiming adjustability.

### NOTES

Photometrics show the maximum emission values of fixtures. Values related to the power consumption of the fixture do not take into account the consumption of the accessory driver, which depends on the choice of driver. Uses the "Waterblock Smart" technical solution that involves resin coating the connection cables, limiting the risk of humidity reaching the driver or the fixture. It is possible to subject the product to Cataphoresis treatment on request. 110-277Vac version available on request.

### WARRANTY

5 years.

### WARNING

Luminaire designed for disposal/recycling at end-of-life. Replaceable (LED only) light source by a professional. Replaceable control gear by a professional.

*Due to the technological evolution of the electronic components, the data provided may be updated, and as such, confirmation must be requested during the order process.*

*Luminous flux and power supply have +/-10% tolerances with respect to the indicated value. tq +25°C (CIE 121).*

*We reserve the right to make technical changes.*

Targetti Sankey S.r.l.  
Via Pratese, 164  
50145 Firenze - Italy  
Tel: +39 055 37911  
targetti.com  
targetti@targetti.com

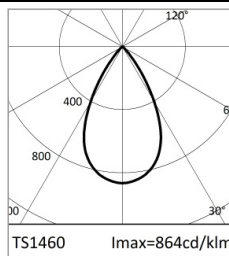
CCIAA Firenze  
Share Capital:  
€ 500.000,00  
VAT N. (IT):  
01537660480  
R.E.A.: FI-275656

**TARGETTI**

**1E3882 | DART Medium RGBW**  
Professional adjustable projector with RGBW LED source



		H(m)	D(m)	E <sub>max</sub> (lx)
			58°	
Fixture Power	31W	1	1.12	1178
Source Flux	1364lm	2	2.23	295
Fixture Flux	1029lm	3	3.35	131
Efficacy	33lm/W	4	4.46	74
TS1460	I <sub>max</sub> =864cd/klm	I <sub>max</sub>	1178cd	5
			5.58	47



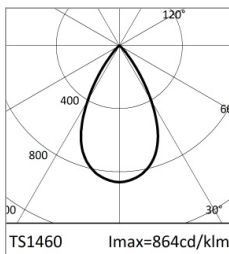
		H(m)	D(m)	E <sub>max</sub> (lx)
			58°	
Fixture Power	23W	1	1.12	698
Source Flux	808lm	2	2.23	174
Fixture Flux	609lm	3	3.35	78
Efficacy	27lm/W	4	4.46	44
TS1460	I <sub>max</sub> =864cd/klm	I <sub>max</sub>	698cd	5
			5.58	28

**RGBW**

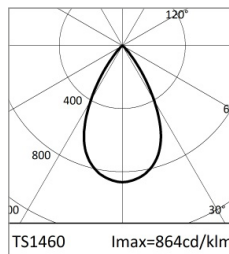
Fixture Power	31W
Nominal flux	1364lm
Fixture flux	1029lm
Luminous efficacy	33lm/W

**RGB**

Fixture Power	23W
Nominal flux	808lm
Fixture flux	609lm
Luminous efficacy	27lm/W



	6500K	H(m)	D(m)	E <sub>max</sub> (lx)
			58°	
Fixture Power	9W	1	1.12	573
Source Flux	663lm	2	2.23	143
Fixture Flux	501lm	3	3.35	64
Efficacy	56lm/W	4	4.46	36
TS1460	I <sub>max</sub> =864cd/klm	I <sub>max</sub>	573cd	5
			5.58	23



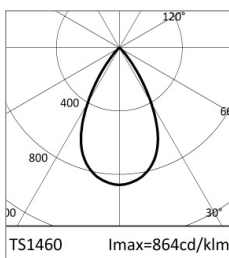
		H(m)	D(m)	E <sub>max</sub> (lx)
			58°	
Fixture Power	6W	1	1.12	317
Source Flux	367lm	2	2.23	79
Fixture Flux	277lm	3	3.35	35
Efficacy	43lm/W	4	4.46	20
TS1460	I <sub>max</sub> =864cd/klm	I <sub>max</sub>	317cd	5
			5.58	13

**WHITE**

CCT nominal	6500K
Fixture Power	9W
Nominal flux	663lm
Fixture flux	501lm
Luminous efficacy	56lm/W

**RED**

Fixture Power	6W
Nominal flux	367lm
Fixture flux	277lm
Luminous efficacy	43lm/W



		H(m)	D(m)	E <sub>max</sub> (lx)
			58°	
Fixture Power	9W	1	1.12	364
Source Flux	422lm	2	2.23	91
Fixture Flux	318lm	3	3.35	40
Efficacy	37lm/W	4	4.46	23
TS1460	I <sub>max</sub> =864cd/klm	I <sub>max</sub>	364cd	5
			5.58	15



		H(m)	D(m)	E <sub>max</sub> (lx)
			58°	
Fixture Power	8W	1	1.12	98
Source Flux	114lm	2	2.23	25
Fixture Flux	86lm	3	3.35	11
Efficacy	10lm/W	4	4.46	6
TS1460	I <sub>max</sub> =864cd/klm	I <sub>max</sub>	98cd	5
			5.58	4

**GREEN**

Fixture Power	9W
Nominal flux	422lm
Fixture flux	318lm
Luminous efficacy	37lm/W

**BLUE**

Fixture Power	8W
Nominal flux	114lm
Fixture flux	86lm
Luminous efficacy	10lm/W

Due to the technological evolution of the electronic components, the data provided may be updated, and as such, confirmation must be requested during the order process. Luminous flux and power supply have +/-10% tolerances with respect to the indicated value. tq +25°C (CIE 121).

We reserve the right to make technical changes.

Targetti Sankey S.r.l.  
Via Pratese, 164  
50145 Firenze - Italy  
Tel: +39 055 37911  
targetti.com  
targetti@targetti.com

CCIAA Firenze  
Share Capital:  
€ 500.000,00  
VAT N. (IT):  
01537660480  
R.E.A: FI-275656



# 1E3882 | DART Medium RGBW

Professional adjustable projector with RGBW LED source

## Related codes

### Power Supply

Code
<b>1E3883</b>

DMX 4 channel driver - 850mA.  
50W, LxHxP=220x80x120mm, 120-277Vac.  
IP68 gray powder coated aluminum box.

## Accessories

### Filter



Code
<b>1E3023</b>

Blade of light filter.  
PMMA holographic filter for a blade of light effect.  
To be completed with a dedicated holder ring.  
Diameter 101mm.

### Grid



Colour	Code
	<b>1E3025</b>

Anti-glare louver.  
The central elements may be removed to obtain two different levels of glare control.  
Powder coated stainless steel.

### Screen



Colour	Code
	<b>1E3024</b>

Asymmetric screen.  
Powder coated stainless steel.

### Mounting System



Colour	Code
	<b>1E3026</b>

Plate for fixture rotation.  
Powder coated stainless steel.



Dimensions ØxH mm	Colour	Code
96x182		<b>1E3028</b>

Earthspike.  
Powder coated stainless steel.

*Due to the technological evolution of the electronic components, the data provided may be updated, and as such, confirmation must be requested during the order process.  
Luminous flux and power supply have +/-10% tolerances with respect to the indicated value. tq +25°C (CIE 121).*

We reserve the right to make technical changes.

Targetti Sankey S.r.l.  
Via Pratese, 164  
50145 Firenze - Italy  
Tel: +39 055 37911  
targetti.com  
targetti@targetti.com

CCIAA Firenze  
Share Capital:  
€ 500.000,00  
VAT N. (IT):  
01537660480  
R.E.A: FI-275656



# 1E3882 | DART Medium RGBW

## Professional adjustable projector with RGBW LED source

### Mounting System



Colour Code

● 1E2825

Pole bracket.  
Anodised and powder coated aluminium.  
Pole Ø 60mm (+/-2mm).



Colour Code

● 1E3027

Pole multiple mounting system.  
Powder coated stainless steel.  
To be completed with 1E2825.  
Max 4 projectors.

### Holder Ring



Colour Code

● 1E3022

Holder ring.  
Powder coated stainless steel.  
Ax B 120x120mm.

### Tool



Colour Code

● 1E3029

Laser pointing system.  
Installed by friction on the projector's body.  
Powder coated stainless steel.  
Laser included.

### Control systems



Code

1E2767

USB-RDM Programmer code.  
DMX-RDM (Remote Device Management) address planner.  
Used with the "RDM Targetti" software that can be downloaded for free from the Targetti website download section.  
To be used with all RGBW products.  
The USB-RDM programmer manages to direct DMX-RDM fixtures if there are no BUFFER or Splitter DMXs on the section.  
Please refer to the instructions for more details.



Code

A077

my-SCENARIO Show Store.  
Programmable DMX interface that integrates the latest innovations in lighting control in architectural and entertainment applications.  
It features USB Type-C and Ethernet ports for programming and remote control.  
The unit can be fully programmed with ESA Pro 2 software (available for Windows and Mac users) or via mobile applications such as Arcolis (available for iOS or Android devices).  
It can be fully customised: pixel mapping, triggering management, patch configuration and much more.  
The system offers great possibilities for the control of your lighting installation: multi zone control (allowing the management of up to 5 independent zones), extended triggers (time/date, Sunrise/Sunset, input ports, TCP/UDP commands), 16-bit channels management, full recovery after power loss, up to 99 total scenes, and 1024+ DMX channels.  
The intuitive backlit keyboard comes with 10 preset buttons for a user friendly experience.

Due to the technological evolution of the electronic components, the data provided may be updated, and as such, confirmation must be requested during the order process.  
Luminous flux and power supply have +/-10% tolerances with respect to the indicated value. tq +25°C (CIE 121).

We reserve the right to make technical changes.

Targetti Sankey S.r.l.  
Via Pratese, 164  
50145 Firenze - Italy  
Tel: +39 055 37911  
targetti.com  
targetti@targetti.com

CCIAA Firenze  
Share Capital:  
€ 500.000,00  
VAT N. (IT):  
01537660480  
R.E.A: FI-275656



## 1E3882 | DART Medium RGBW

### Professional adjustable projector with RGBW LED source

#### Control systems



Code

**1T6499**

myScenario Wall.

DMX controller with a glass touch sensitive screen for architectural applications.

It can control two different DMX universes (2x 512 channels).

Stand alone function or connected to a computer using a USB port.

Software for creating scenarios (that can be downloaded from the Targetti website) included.

It can manage 10 different lighting zones and 50 scenarios per zone.

The touch keys on the front make it possible to modify and recall programmed scenarios.

USB cable included.

To be used with all RGBW products.

*Due to the technological evolution of the electronic components, the data provided may be updated, and as such, confirmation must be requested during the order process.*

*Luminous flux and power supply have +/-10% tolerances with respect to the indicated value. tq +25°C (CIE 121).*

*We reserve the right to make technical changes.*

Targetti Sankey S.r.l.  
Via Pratese, 164  
50145 Firenze - Italy  
Tel: +39 055 37911  
targetti.com  
targetti@targetti.com

CCIAA Firenze  
Share Capital:  
€ 500.000,00  
VAT N. (IT):  
01537660480  
R.E.A: FI-275656

# TARGETTI